



# GARAGE DOORS ROLLMATIC

**NEW.** 20% higher opening speed and smart operation  
with the roller garage door operator RollMatic 2

**HÖRMANN**







4

Good reasons  
to try Hörmann  
garage doors.



14

Inspirations.



20

Design.  
Equipment.  
Accessories.

# Responsibility for generations

The Hörmann family business has over 85 years of experience as a construction component specialist. This gives us an obligation to both current and future generations. That's why environmental responsibility plays such an important role for us. With this in mind, we develop innovative solutions for sustainable products and intelligent environmental protection.



## “A GOOD REPUTATION MUST BE EARNED.”

August Hörmann

In keeping with the tradition started by the company's founder, the Hörmann brand is a true promise of quality and, with sales of over 20 million doors and operators, is one of Europe's most successful suppliers. Due to the comprehensive international sales and service network, Hörmann is your strong partner for high-quality construction components.

**AN EYE ON THE FUTURE.** Hörmann is setting a good example. That's why 100% of our electricity needs in Germany come from green electricity. Together with an intelligent and certified energy management system, CO<sub>2</sub>-neutral mailing and the recycling of valuable materials, more than 60000 tons of CO<sub>2</sub> are saved each year. In addition, we offset over 100000 tons of CO<sub>2</sub> by promoting wind energy and reforestation projects in cooperation with ClimatePartner.



Further information can be found at:  
[www.hoermann.com/en/sustainability](http://www.hoermann.com/en/sustainability)





# Brand quality made in Germany



The family-owned company Hörmann offers all important construction components for building and renovating projects from a single source. We manufacture in highly specialised factories using state-of-the-art production technologies. Our employees work intensively on new products, continual further developments and improvements to details. The results are patents and unique products on the market.





10-year warranty <sup>1)</sup>

**LONG-LASTING. GUARANTEED.** All major door and operator components are developed and manufactured by Hörmann. Endurance tests under real conditions ensure mature series products with Hörmann quality. Thanks to this and uncompromising quality assurance, you receive a 10-year warranty on all Hörmann roller garage doors RollMatic, RollMatic T and RollMatic OD, as well as a 5-year warranty on all Hörmann operators<sup>1)</sup>.

<sup>1)</sup> The complete warranty conditions can be found at: [www.hormann.co.uk](http://www.hormann.co.uk)



Only from Hörmann

Roller garage door with tension spring assembly

**RELIABLE COUNTERBALANCE.** The counterbalance system <sup>2)</sup> integrated in the booms supports the operator during the opening and closing of the door and prevents damage to the operator mechanism. The multiple spring assemblies and the double lifting cables prevent the door leaf from crashing in every position. In case of emergency, the door can be easily opened by hand. A crank handle<sup>2)</sup> is not necessary for this purpose for roller garage doors.

<sup>2)</sup> Not with roller garage door RollMatic T

Patented tension spring technology with spring-in-spring system for roller garage door RollMatic





# Universally applicable

Roller garage doors open vertically and offer maximum space inside and in front of the garage. The shape of the garage door opening is not of prime importance when fitting the doors. Whether square, chamfered, with segmental or Norman arch – Hörmann garage doors always fit. The RollMatic is also available as an external roller garage door for fitting in front of the opening for problematic fitting situations with little sideroom.







#### **ROLLER GARAGE DOOR ROLLMATIC.**

The compact roller garage doors are the best choice if the ceiling area of your garage should remain free or if your garages are too small for a RollMatic OD or sectional door. The roller garage door curtain compactly winds up into the lintel of the door opening, thus allowing you to use the ceiling for lamps or as an additional storage space.

→ Further information can be found starting on page 26.



#### **ROLLER GARAGE DOOR ROLLMATIC T.**

The inexpensive roller garage door with powerful tubular operator creates more room in front of and inside the garage. The door curtain is guided via a guide roller and guide channel and ensures smooth door travel.

→ Further information can be found starting on page 30.



#### **ROLLER GARAGE DOOR ROLLMATIC OD.**

For garages with a particularly low headroom, space-saving garage horizontal doors are especially suitable. The door curtain is guided under the ceiling through narrow booms. Thanks to the space-saving, lateral operator fitting, the RollMatic OD has a required headroom of only 60 mm.

→ Further information can be found starting on page 32.

# Permanently beautiful door appearance

Regular opening leaves marks on the door curtain due to the design of the roller garage door. In addition to the high-quality surface coating, innovative solutions such as special bearing rings, the position of the roller and the new DuraBelt reduce these marks to a minimum. This way you can enjoy your attractive door for a long time.





**Only from Hörmann**  
 Wear-resistant bearing rings on the roller garage door RollMatic

**FEWER MARKS THANKS TO THE STANDARD DESIGN.**

The rollers **1** guiding the door curtain above the booms are positioned in such a way that design-related marks can only occur in the less visible area behind the booms. With the roller garage door RollMatic, wear-resistant bearing rings **2** additionally minimise marks on the inside of the top profiles.

**Only from Hörmann**  
 DuraBelt

**ADDITIONAL SURFACE PROTECTION.** Dirt can cause small scratch marks on the door curtain when it is rolled up. The patented DuraBelt **3** significantly reduces these scratches. When rolling up, several belts are placed between the individual layers of the door curtain, thus reducing the contact with the profiles to a minimum.

→ Further information can be found starting on page 27.

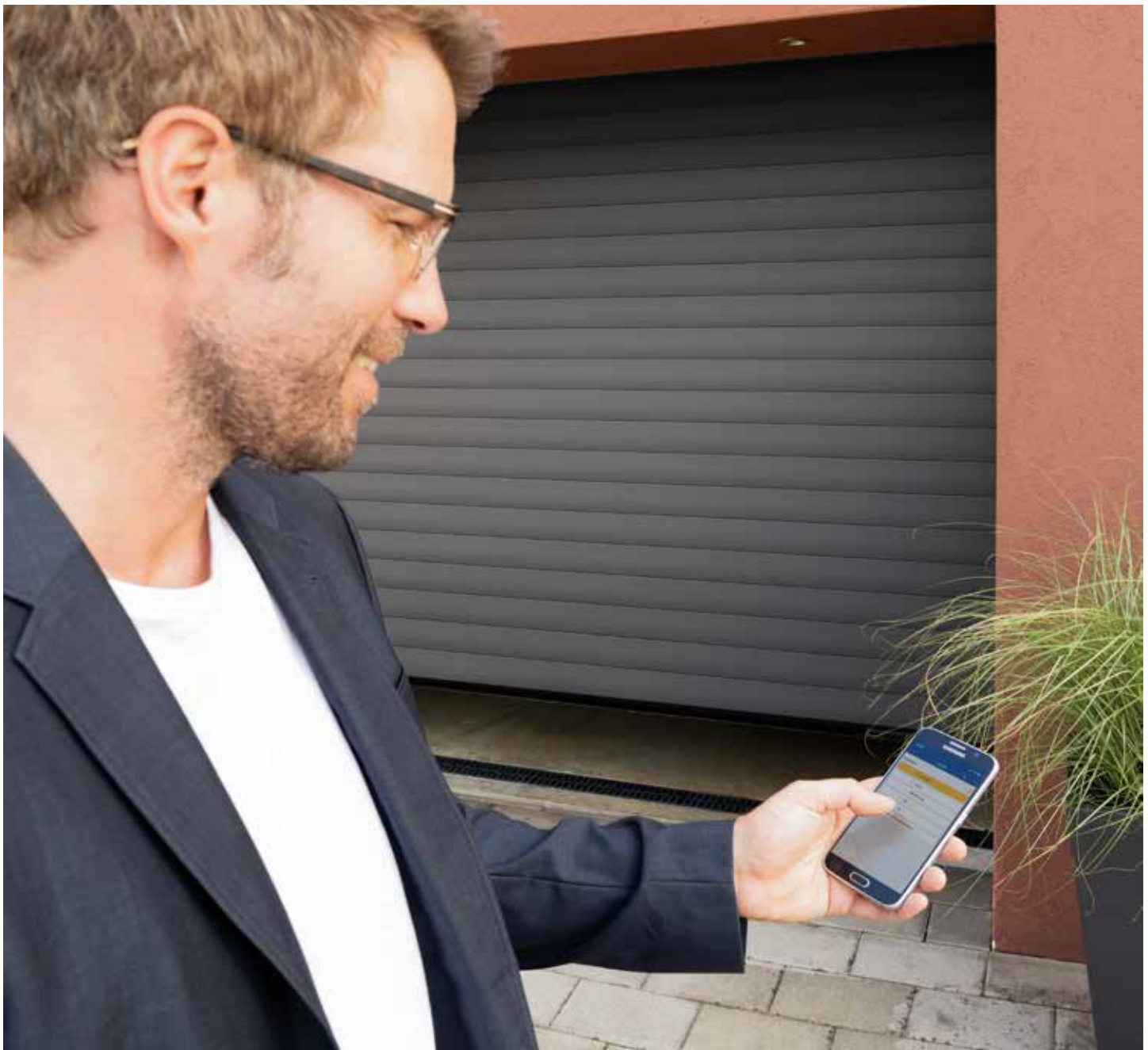


Watch the video on YouTube or at [hoermann.com/en/media-centre/](https://www.hoermann.com/en/media-centre/)



# Intelligent operating comfort

Control your garage door and entrance gate operators, door operators, entrance door locks, lights and other devices simply, safely and conveniently via hand transmitter, radio switch or smartphone. All operators, receivers and control elements with BiSecur radio technology are 100% compatible with each other.





Only from Hörmann

**CERTIFIED SECURITY.** The bidirectional BiSecur radio system with particularly secure encryption protocol and stable, interference-free range makes sure that no one can copy your radio signal. This is also confirmed by the security experts of Bochum University and independent test institutes.



Watch the video on YouTube or at [hoermann.com/en/media-centre/](https://www.hoermann.com/en/media-centre/)

**INTELLIGENT TECHNOLOGY.** Hörmann operators convince with more convenience, smart functions and intelligent technology. Our elegant hand transmitters allow you to open your door from your car. Or you can simply use your smartphone as a door opener with the Hörmann BlueSecur app<sup>1)</sup> or the Hörmann Smart Home control centre homee<sup>2)</sup>.

→ Further information can be found starting on page 38.

<sup>1)</sup> For roller garage door RollMatic T optionally in conjunction with the external HET-BLE

<sup>2)</sup> For roller garage door RollMatic and RollMatic OD

At the press of a button, the colour of the LED on the hand transmitter HS 5 BS or the internal push button FIT 5 BS indicates the door position <sup>2)</sup>.



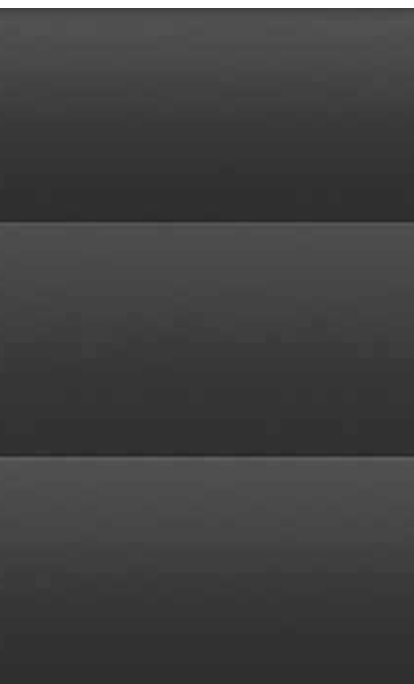
With the Smart Home control centre homee, you can control all door functions via your tablet or smartphone <sup>2)</sup>.



### THE PERFECT MATCH FOR YOUR HOME.

To perfectly match your door to the architectural style of your home, we offer the roller garage doors RollMatic. RollMatic T and RollMatic OD are available in 16 door colours. For an especially elegant door appearance, we recommend the colour Noir 2100 Sablé Anthracite metallic.

→ Further information can be found starting on page 24.







TOP. Roller garage door and side door in Moss green RAL 6005

BOTTOM LEFT. Detail of Noir 2100 Sablé

BOTTOM CENTRE. Roller garage door in Noir 2100 Sablé

BOTTOM RIGHT. Roller garage door in Traffic white RAL 9016





**NATURAL DOOR APPEARANCE.** The particularly wear-resistant Decograin surface finish and the inexpensive Decopaint surface finish have a convincing real timber look.

→ Further information can be found starting on page 25.



TOP LEFT. Roller garage door in Decograin Rosewood

TOP RIGHT. Detail Decograin Golden Oak

BOTTOM. Roller garage door in Decograin Golden Oak





## EXTERNAL ROLLER GARAGE

**DOOR.** The RollMatic is also available as an external roller garage door for fitting in front of the opening if your garage has little headroom and / or sideroom. The external roller garage door is supplied as a complete package with a matching operator. The booms and the curtain cover come in the same colour as the door, or in the base colour of the decor for Decopaint, to create a uniform and harmonious appearance.

→ Further information can be found starting on page 27.





TOP LEFT. External roller garage door in Light grey RAL 7035

TOP RIGHT. Roller garage door and side door in Traffic white RAL 9016

BOTTOM LEFT. External roller garage door in Light grey RAL 7035



**SIDE DOORS.** At Hörmann, side doors are given just as much consideration, as the overall appearance is only perfect if the side door matches the roller garage door. The side door NT 60 is thus available in all surface finishes and colours. The high-quality 60 mm aluminium frame construction is the ideal frame for the door infill, which is fastened with glazing beads as standard.

→ Further information can be found starting on page 37.





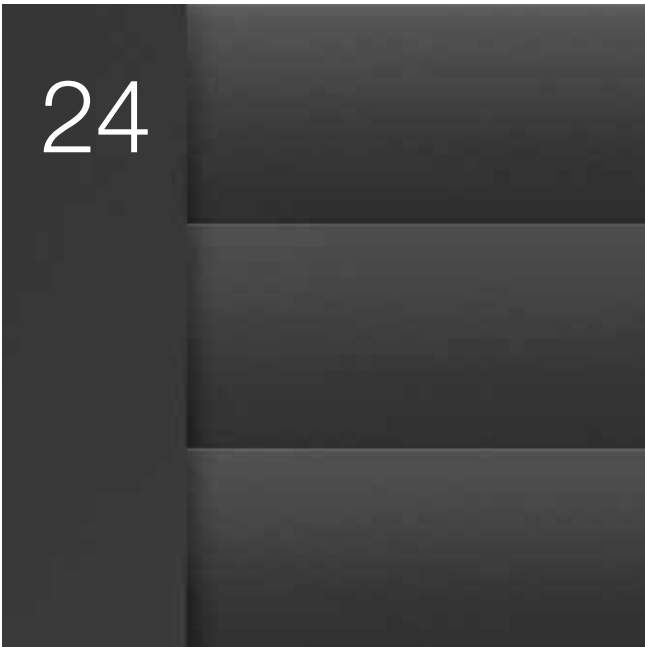




22



24



38



# Design. Equipment. Accessories.

- 22 Profile versions and surface finishes
- 24 Colours and decors
- 26 Roller garage door RollMatic
- 30 Roller garage door RollMatic T
- 32 Roller garage door RollMatic OD
- 36 Optional extras
- 37 Side doors
- 38 Accessories
- 40 Dimensions and technical manual

# Profile versions and surface finishes

Roller garage doors RollMatic, RollMatic T and RollMatic OD

## Elegant aluminium profiles

The smooth surface of the aluminium profiles looks modern and elegant, unlike the ribbed profiles from other suppliers. Furthermore, a high-quality coating on the inside and outside of the door's surface makes it easy to clean. The hollow space of the profile is evenly filled with polyurethane rigid foam for quiet door travel.

### Profile view of internal rolling shutters

- 1 Inside of the door
- 2 Outside of the door

### Profile view of external roller garage doors

- 1 Outside of the door
- 2 Inside of the door



## Glazing elements <sup>3</sup>

Get more daylight in your garage. The glazing elements with synthetic panes are arranged across the entire profile width. The number of elements depends on the respective door width. A maximum of ten profiles can be fitted with glazings in each door.

## Ventilation grilles <sup>4</sup>

Ventilation of your garage improves the room climate and prevents mould. Ventilation grilles made of long-lasting plastic are arranged across the entire profile width. Each door can be equipped with a maximum of ten profiles.



### Please note:

With respect to their technical properties and the paint system used, all Hörmann roller garage doors correspond to the current state of the art. Pressure marks and abrasive wear are design-related and cannot be avoided. They do not impair the function and durability of the roller garage door.

---

### Decograin surface finish

A special abrasion-resistant surface protection preserves the UV-resistant plastic film coating on the profiles over a long time.

#### Profile view of internal rolling shutters

- 1 Door interior in brown
- 2 Door exterior in Decograin Golden Oak



### Decopaint surface finish

The interior and exterior of the profiles are painted to look like timber.

#### Profile view of internal rolling shutters

- 3 Door interior in Decopaint Golden Oak
- 4 Door exterior in Decograin Golden Oak

#### Profile view of external roller garage doors

- 3 Door exterior in Decopaint Golden Oak
- 4 Door interior in Decopaint Golden Oak





# Colours and decors

Roller garage doors RollMatic, RollMatic T and RollMatic OD

## 16 colours



### Equally-priced standard colours

- |   |          |                 |    |                 |             |
|---|----------|-----------------|----|-----------------|-------------|
| 1 | RAL 9016 | Traffic white   | 9  | RAL 7015        | Slate grey  |
| 2 | RAL 9007 | Grey aluminium  | 10 | RAL 6005        | Moss green  |
| 3 | RAL 9006 | White aluminium | 11 | RAL 5011        | Steel blue  |
| 4 | RAL 9005 | Jet black       | 12 | RAL 3003        | Ruby red    |
| 5 | RAL 9001 | Cream           | 13 | RAL 3004        | Purple red  |
| 6 | RAL 8028 | Terra brown     | 14 | RAL 1015        | Light ivory |
| 7 | RAL 7035 | Light grey      | 15 | Chartwell Green |             |
| 8 | RAL 7016 | Anthracite grey |    |                 |             |

### Special colour

- |    |                 |
|----|-----------------|
| 16 | Noir 2100 Sablé |
|----|-----------------|

### Please note:

All colours based on RAL. The colours and surface finishes shown are subject to the limitations of the printing process and cannot be regarded as binding. Please consult with your local Hörmann specialised dealer.

## Decograin surface finish



17

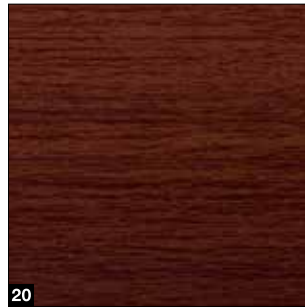


18

## Decopaint surface finish



19



20

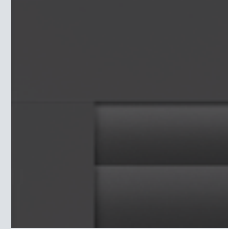
17 Decograin Golden Oak

18 Decograin Rosewood

19 Decopaint Golden Oak

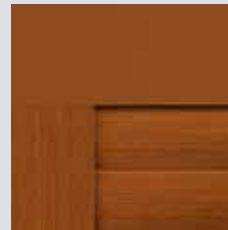
20 Decopaint Rosewood

## Harmonious overall appearance in 16 colours



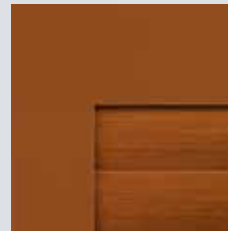
At Hörmann, we offer the door curtain, booms, fascia panel and shaft cover in the door colour selected at no surcharge.

## Fitting variants with Decograin surface finish



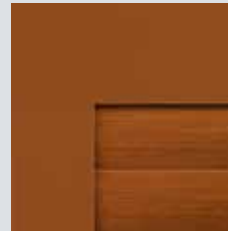
### Roller garage door RollMatic fitting in the opening

Profile and booms in Decograin, fascia panel in the base colour of the decor and additional fascia panel in Decograin (see page 37).



### Roller garage door RollMatic fitting behind the opening

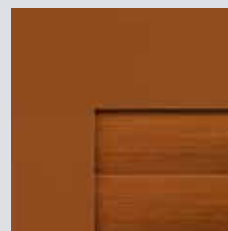
Profile in Decograin, fascia panel and booms in the base colour of the decor



### Roller garage door RollMatic OD fitting in the opening or behind the opening

Profile in Decograin, fascia panel and booms in the base colour of the decor

## Fitting variants with Decopaint surface finish



### Roller garage door RollMatic / RollMatic OD

Profile in Decopaint, fascia panel and booms in the base colour of the decor

# Roller garage door RollMatic

With patented tension spring technology



Only from Hörmann

Roller garage door with tension spring assembly



Only from Hörmann

Wear-resistant bearing rings





### A well-protected barrel

The standard cover **1** of the barrel effectively prevents reaching into the door barrel. In addition, it protects the curtain from damage and soiling when the door is open.

### Reliable counterbalance

The patented tension spring assembly with spring-in-spring system **2** and the transparent protective cover prevent broken springs from flying out and thus protect from personal injury.

### Secure curtain guide

The standard wind locks **3** in the profile ends keep the door securely in the guide even under high wind loads (up to class 4) and also offer increased burglar protection.

### Fewer design-related marks

The use of wear-resistant materials reduces marks of the bearing rings **4** on the top door curtain profiles.

In addition, the rollers are positioned above the boom, so that the design-related roller marks on the curtain are less visible.

### Additional surface protection

With the DuraBelt **5** **NEW**, your door remains beautiful longer. When rolling up, several belts are placed between the individual layers of the door curtain, thus significantly reducing scratch marks caused by soiling of the door curtain.

### Easy fitting

The booms, fascia panel and operator are fitted to the garage walls and lintel. The curtain is then pulled effortlessly onto the barrel by the operator and fixed via belts **6**.

### Size range

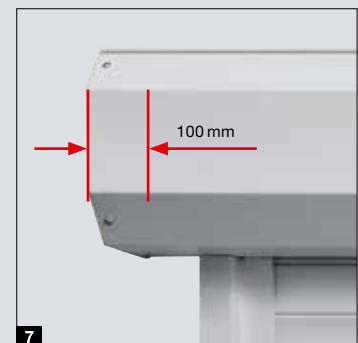
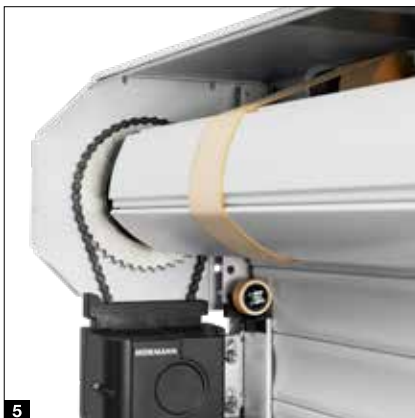
Max. width 6000 mm

Max. height 3100 mm

### External roller garage door

Depending on the fitting situation, operators can either be installed on the left or right. The shaft cover is 100 mm wider in this area and encloses the operator **7**, protecting it from adverse weather effects or from unauthorised interference. The vision fields **8** in the spring cover allow you to conveniently check whether the cable guide or springs are still functional. This gives you security even after many years of use.

**Only from Hörmann**  
Patent pending



# Roller garage door RollMatic

Operator and control RollMatic 2 **NEW**

## Standard operator, fitted outside of the cover for trouble-free maintenance

- 20% faster opening speed\* up to 20 cm/s
- Smart operation with the BlueSecur app
- Control with “Open / Close” buttons for inside operation
- Easy-to-use programming thanks to 2 x 7-segment display
- Networked with Smart Home control centres via the standard HCP interface
- Bright LED lighting
- Low power consumption in standby below 1 watt
- Electronic end-of-travel position cut-out to protect the curtain surface
- Convenient garage ventilation
- Additional opening height



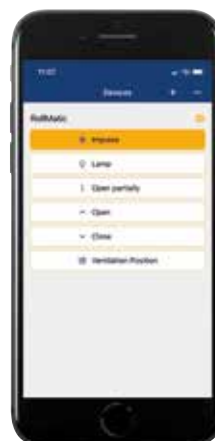
**BiSecur**

As standard with two 4-button hand transmitters HSE 4 BS, textured surface black with plastic caps

### Garage door operators

Bluetooth receiver	Integrated, can be switched on and off
HCP bus connection	Integrated
Cycles per day / hour	25 / 10
Max. opening speed	20 cm/s
Lighting	10 LEDs
Max. door width	6000 mm
Max. door surface	15 m <sup>2</sup>

\* Compared to series 1



**Only from Hörmann**  
European patent

**Hörmann BlueSecur**

Operation by smartphone using the Hörmann BlueSecur app

### Closing edge safety device

An optosensor in the bottom seal **1** reliably stops the door in the event of an unexpected obstacle – optional for doors up to 5000 mm wide and standard for doors from 5000 mm.

### Emergency release from inside

Release the operator conveniently from the inside, e.g. to open the door manually from the inside in the event of a power failure. With internal rolling shutters, the manual is operated directly on the operator. With external roller garage doors, actuation takes place via a release from the inside.

### Emergency release from outside (optional)

For garages without a second entrance, we recommend the secured release in a lockable housing **2**, allowing you to open your garage door from the outside in case of an emergency (e.g. power failure).

### Emergency power supply (optional)

With the emergency battery **3**, you can bridge network power failures for up to 18 hours and max. 5 door cycles. Recharges during normal operation.

### Acoustic alarm (optional)

The shrill alarm sound with a volume of 110 dB (A) effectively deters burglars.

### Manually operated door with manual door locking

Thanks to the supporting tension spring compensation, Hörmann roller garage doors are easy to manually open and close from the outside of the garage using the handle **4** and from the inside with the chain tensioner **.NEW 5**. The manually operated roller garage door is mechanically locked using interior and exterior handles and a lock. Solid metal bolts extend on the right and left into the booms.





# Roller garage door RollMatic T

With space-saving tubular operator



### A well-protected barrel

The standard cover **1** of the barrel effectively prevents reaching into the door barrel. In addition, it protects the curtain from damage and soiling when the door is open.

### Space-saving construction

The compact door construction with tubular operator has a required headroom of only 290 mm and sideroom of only 75 mm (up to 2300 mm door height) or 105 mm (from 3001 mm door width) and is also suitable for particularly narrow fitting situations. The booms **2** ensure smooth door travel and are optimally sealed by the standard brush seals.

### Easy fitting

The pre-assembled barrel incl. cover and the pre-drilled booms with standard backfill are quickly and easily screwed to the garage walls and lintel.

### Emergency operation as standard

Even in the event of a power failure, you can easily open the RollMatic T from the inside using the standard emergency crank handle. With optional external emergency operation **3**, a crank handle is inserted into a lockable opening that opens the door from the outside.

### Space-saving tubular operator

The powerful tubular operator is equipped with mechanically adjustable end-of-travel positions. Optionally, the operator is also available with electronic end-of-travel position cut-out. The operator can be controlled from the inside with the stylish control. The integrated LED lighting provides more light in the garage.

### Closing edge safety device as standard

An optosensor in the bottom seal reliably stops the door in the event of an unexpected obstacle. The standard version is available with spiral cable **4** or optionally with radio transmission **5** and without spiral cable.



 **BiSecur**

Standard BiSecur radio system with two 4-button hand transmitters HSE 4 BS



# Roller garage door RollMatic OD

Ideal for modernisation

## Smooth door travel

Twin rollers evenly and smoothly guide the door curtain under the ceiling. The narrow aluminium booms are connected by stable corner diversions with small radii **1**. Due to this compact design, the RollMatic OD only requires a lintel of 60 mm.

## Well-sealed

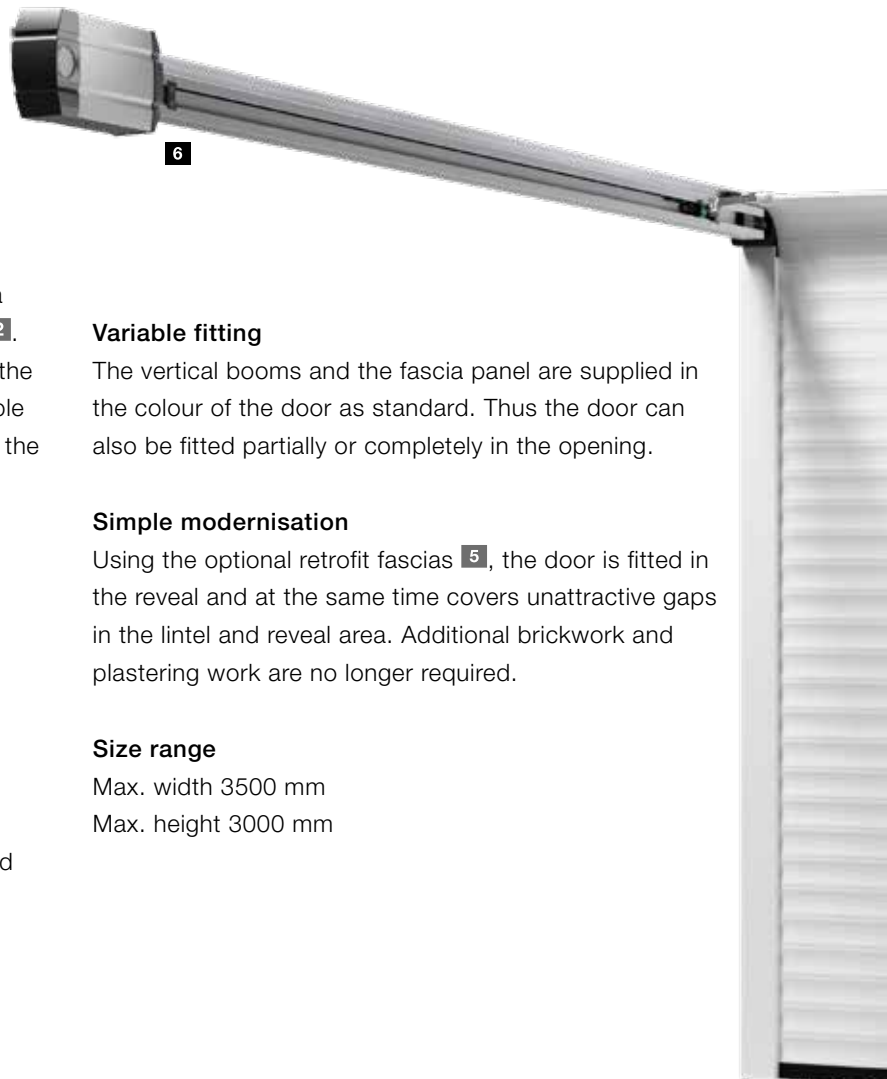
The door is almost completely closed in the lintel area thanks to the specially shaped folding roller bracket **2**. An elastic lip seal in the lintel area and brush seals in the booms protect against driving rain (class 2). The flexible EPDM bottom profile compensates for unevenness in the floor and seals the bottom edge of door.

## Reliable counterbalance

The multiple spring assemblies and integrated catch safety device **3** protect the door from crashing in the event of a possible cable tear.

## Additional emergency release

We recommend using an optional emergency release lock **4** for garages without a second entrance. An inconspicuous round cylinder (cannot be integrated in the master key system) releases your garage door and you can easily open it in case of emergency.



## Variable fitting

The vertical booms and the fascia panel are supplied in the colour of the door as standard. Thus the door can also be fitted partially or completely in the opening.

## Simple modernisation

Using the optional retrofit fascias **5**, the door is fitted in the reveal and at the same time covers unattractive gaps in the lintel and reveal area. Additional brickwork and plastering work are no longer required.

## Size range

Max. width 3500 mm  
Max. height 3000 mm







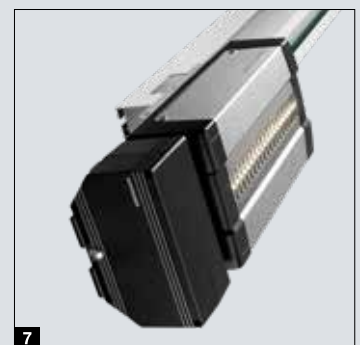
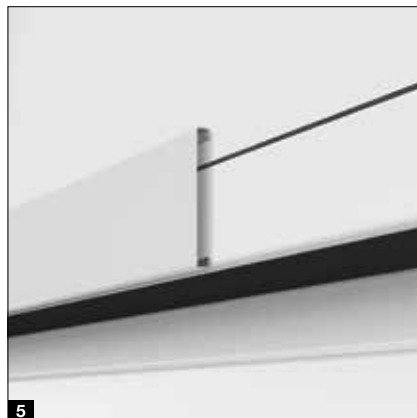
### Space-saving operator fitting \*

The operator booms **6** can either be fitted on the right or the left horizontal boom. This compact design does not require additional headroom.

### Emergency power supply

The emergency battery HNA \* **7** for garage door operators ProMatic and SupraMatic bridges network power failures for up to 18 hours and a maximum of 5 door cycles. Recharges during normal operation.

\* Shown with optional operator SupraMatic



# Roller garage door RollMatic OD

ProMatic 4 operator

## Standard operator in premium quality

- 40% faster opening speed\* up to 20 cm/s
- Convenient garage ventilation
- Additional opening height
- Up to 2 times\* brighter LED lighting
- Networked with Smart Home control centres via the standard HCP interface
- Low power consumption in standby below 1 watt



**BiSecur**

As standard with two 4-button hand transmitters HSE 4 BS, textured surface black with plastic caps

Garage door operators	ProMatic 4	ProMatic 4 Akku .NEW
Bluetooth receiver	Optional (HET-BLE)	Optional (HET-BLE)
HCP bus connection	Integrated	Integrated
Cycles per day / hour	25 / 10	5 / 2
Pull and push force	600 N	500 N
Peak force	750 N	600 N
Max. opening speed	20 cm/s <sup>1)</sup>	16 cm/s <sup>1)</sup>
Lighting	10 LEDs	10 LEDs

\* In comparison with the ProMatic series 3

## ProMatic 4 Akku .NEW

For garages without power connection



Akku with solar module

# Roller garage door RollMatic OD

SupraMatic 4 operator

## Supra-fast door opening and smart additional functions

- 75% faster opening speed\* up to 25 cm/s
- Smart operation with the BlueSecur app
- Convenient garage ventilation
- Additional opening height
- Up to 3 times (SupraMatic E) or 5 times\* (SupraMatic P) brighter LED lighting
- Easy-to-use programming thanks to 2 x 7-segment display
- High-quality stainless steel operator cover
- Networked with Smart Home control centres via the standard HCP interface
- Low power consumption in standby below 1 watt



**BiSecur**

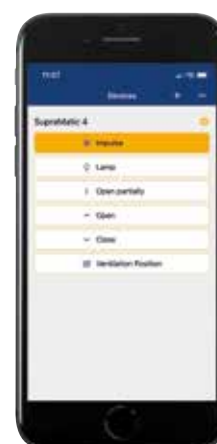
As standard with two 4-button hand transmitters HSE 4 BS, textured surface black with chrome caps

Garage door operator	SupraMatic E
Bluetooth receiver	Integrated, can be switched on and off
HCP bus connection	Integrated
Cycles per day / hour	25 / 10
Pull and push force	650 N
Peak force	800 N
Max. opening speed	25 cm/s
Lighting	20 LEDs

\* In comparison with the ProMatic series 3

**Only from Hörmann**  
European patent

**Hörmann BlueSecur**



Operation by smartphone using the Hörmann BlueSecur app



# Optional extras

Roller garage doors RollMatic and RollMatic T

## Chamfered bottom profile

(only for RollMatic)

The solution for sloping ground: a chamfered aluminium bottom weather seal compensates for differences in height over the entire door width (max. 300 mm).

The profile can be fitted without any difficulty. It is simply screwed onto the inserted curtain.

The bottom profile is delivered powder-coated in Jet black (similar to RAL 9005) as standard. On request, the bottom profile **1** is also available in a colour matching the door colour.

## Additional fascia panel

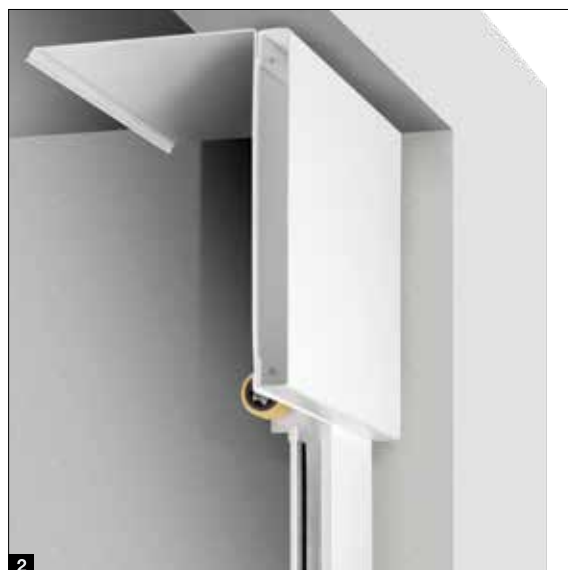
The additional fascia panel **2** stabilises the fascia panel when fitted in the opening or behind the opening if the fascia panel is visible in the opening. It harmoniously covers the lintel without any unattractive fitting holes.

The additional fascia panel is available in the door colour or with Decograin surface finish.

## Fitting compensation set

With uneven walls, the optional fitting compensation set **3** for flush door fitting can be applied. This is particularly advantageous for modernisations or timber structures.

For more information, consult the technical manual at [www.hormann.co.uk](http://www.hormann.co.uk)





## Door sizes

- Width 875 – 1284 mm
- Height 1800 – 2500 mm

## Standard equipment

- 60 mm thick weather-resistant aluminium profiles in the colour of the profiles or, in the case of Decopaint, in a colour matching the decor **1**
- Black plastic lever handle set with oval rose escutcheons and profile cylinder lock **2**
- 3-way adjustable hinges **3** optionally in black, white or aluminium natural finish

## Optional equipment

- Concealed hinges for an elegant door appearance **4**
- Lever handle or lever / knob handle sets in aluminium natural finish **5**, cast aluminium RAL 9016 **6**, brown cast aluminium **7**, brushed stainless steel **8**
- Overhead door closer with slide rail and hold-open device
- 3-point locking (latch, bolt and 2 locking hooks)



# Accessories

Hand transmitter



**HS 5 BS**  
4 button functions, plus query button, high-gloss surface black or white



**HS 5 BS**  
4 button functions, plus query button, textured surface matt black



**HS 4 BS**  
4 button functions, textured surface matt black



**HS 1 BS**  
1 button function, textured surface matt black



**HSE 1 BS**  
1 button function, including eyelet for key ring, textured surface matt black



**HSE 4 BS**  
4 button functions, incl. eyelet for key ring, textured surface matt black with chrome or plastic caps



**HSE 4 BS**  
4 button functions, incl. eyelet for key ring  
High-gloss surface with chrome caps, colours (shown from left): White, Anthracite grey, Frozen grey, Classic grey, Carbon, Silver



**HSD 2-C BS**  
High-gloss chrome, 2 button functions, can also be used as a key ring



**HSZ 1 BS**  
1 button function, for insertion in vehicle cigarette lighter



**Hand transmitter station**  
In high-gloss surface black or white, textured surface matt black, for HS 5 BS, HS 4 BS, HS 1 BS



**Hand transmitter holder**  
For wall fitting or fastening to the sun visor of a car, transparent, for HS 5 BS, HS 4 BS, HS 1 BS as well as HSE 1 BS and HSE 4 BS



The complete range of accessories can be found in the door operators and Smart Home control centres brochure.





**Radio code switch FCT 3 BS**  
3 functions, with illuminated buttons, recessed or surface-mounted fitting possible, plastic housing in Light grey RAL 7040 (also available with 10 functions and hinged cover, painted in White aluminium RAL 9006)



**Radio code switch FCT 10 BS**  
10 functions, with illuminated buttons and hinged cover, recessed or surface-mounted fitting possible, plastic housing painted in White aluminium RAL 9006



**Radio finger-scan FFL 25 BS**  
2 functions and up to 25 fingerprints, with hinged cover, recessed and surface-mounted fitting possible, plastic housing painted in White aluminium RAL 9006



**Radio internal push button FIT 5 BS**  
4 button functions plus query button, plastic housing in Pure white RAL 9010

Button



**Radio internal push button FIT 2-1 BS**  
2 functions, connection option for max. 2 control elements via cable, e.g. key switch, plastic housing in Pure white RAL 9010



**Internal push button IT 1b-1**  
Large, illuminated button for convenient opening of the door, plastic housing in Pure white RAL 9010



**Transponder key switch TTR 1000-1**  
1 function, 1000 teachable keys, scope of delivery: 1 key and 1 card (more on request), zinc die-cast housing in White aluminium RAL 9006



**Code switch CTP 3-1**  
3 functions, with illuminated lettering and touch-sensitive black surface, zinc die-cast housing in White aluminium RAL 9006



**Code switch CTV 3-1**  
3 functions, particularly robust with metal keypad, zinc die-cast housing in White aluminium RAL 9006 with stainless steel panel



**Finger-scan FL 150**  
2 functions, control via fingerprint, up to 150 savable fingerprints, zinc die-cast housing in White aluminium RAL 9006 with stainless steel panel



**Key switch STUP 50 <sup>1</sup> STAP 50 <sup>2</sup>**  
Recessed version and surface-mounted version, incl. 3 keys, zinc die-cast housing in White aluminium RAL 9006 with stainless steel panel

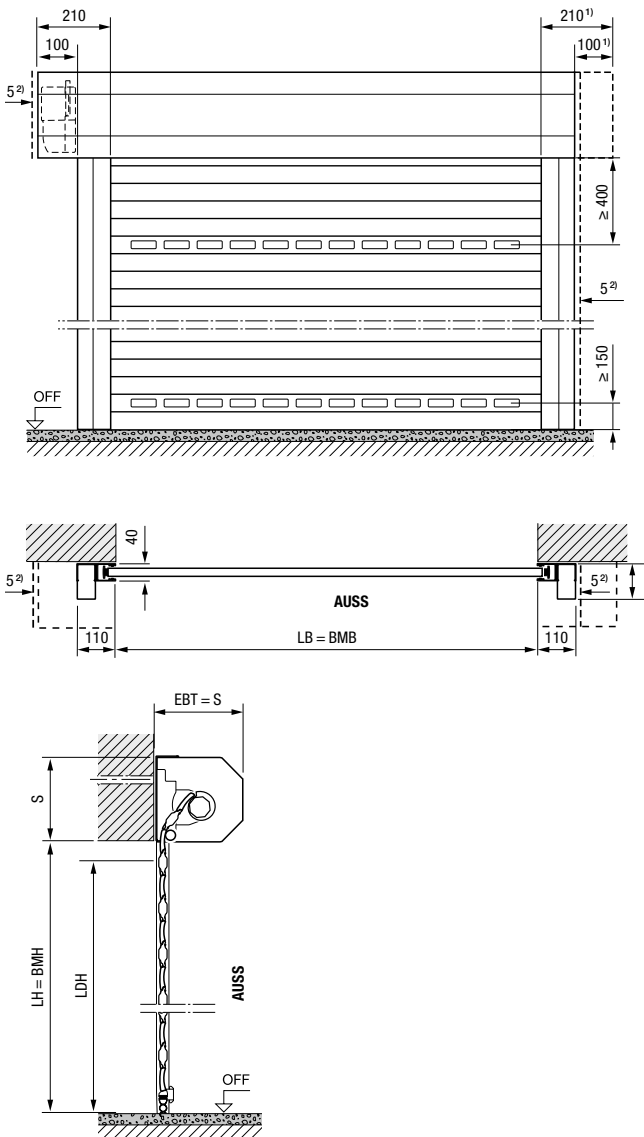


**Internal climate sensor HKSI <sup>3</sup> External sensor HKSA <sup>4</sup>**  
For monitoring humidity and automatic ventilation of the garage, plastic housing in Pure white RAL 9010  
For measuring outdoor humidity, plastic housing in Pure white RAL 9010



## External roller garage door

Fitting in front of the opening, view of fitting side



## Explanations

<b>BMB</b>	Ordering size width
<b>BMH</b>	Ordering size height
<b>LB</b>	Clear width
<b>LH</b>	Clear height
<b>LDB</b>	Clear passage width
<b>LDH</b>	Clear passage height
<b>EBT</b>	Fitting depth
<b>S</b>	Required headroom
<b>SBH</b>	Additional fascia panel height
<b>OFF</b>	Finished floor level
<b>AUSS</b>	Exterior

### Fitting depth EBT

Up to LH = 2300 mm	290 mm
From LH = 2301 mm	335 mm

### Required headroom S / additional fascia panel SBH

Up to LH = 2300 mm	290 mm
From LH = 2301 mm	335 mm

### Clear passage height LDH

With operator	LH - 100 mm
Manually operated	LH - 125 mm

### Side space requirement

External roller garage door	115 mm
operator side	215 mm

### Wind load classes

Up to LB = 3000 mm	Class 5
Up to LB = 4000 mm	Class 4
Up to LB = 4500 mm	Class 3
From LB = 4500 mm	Class 2

### Water tightness under heavy rain

Class 2

- <sup>1)</sup> For a visually balanced look the curtain cover can be ordered symmetrically!
- <sup>2)</sup> At least 5 mm distance from fascia panel / boom

Dimensions in mm



# Dimensions and technical manual

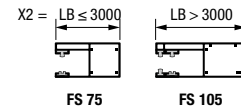
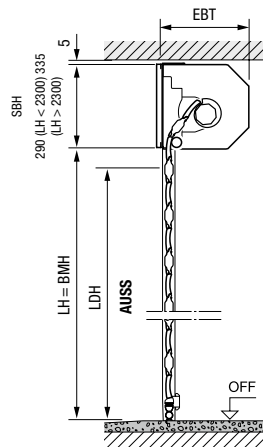
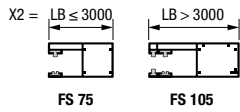
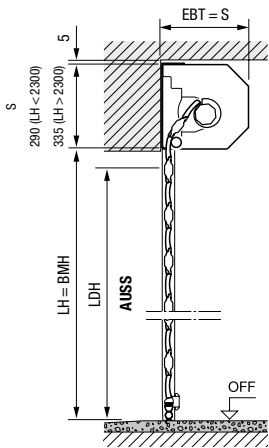
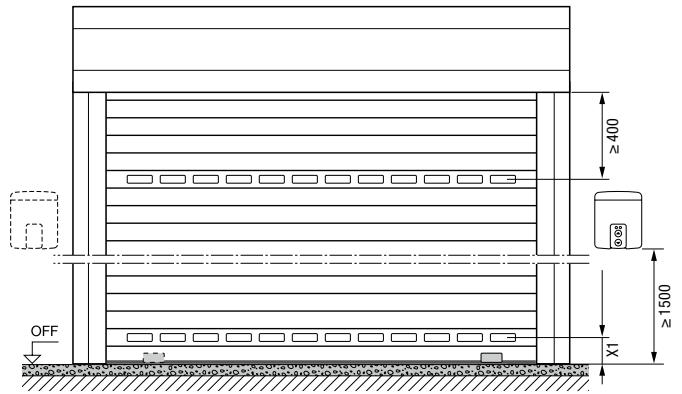
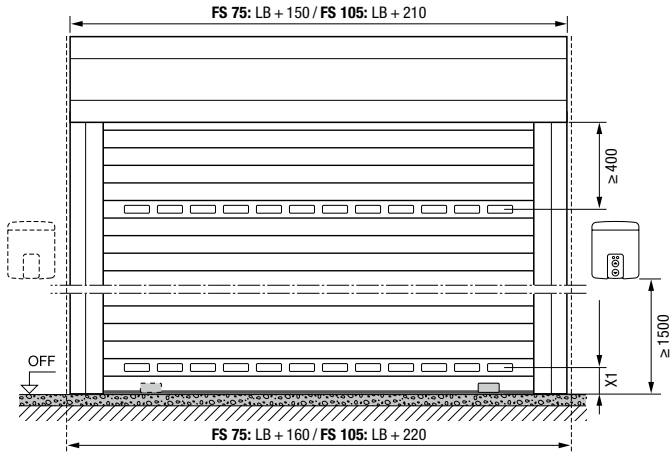
## Roller garage door RollMatic T

### Internal rolling shutter

Fitting behind the opening, view of fitting side

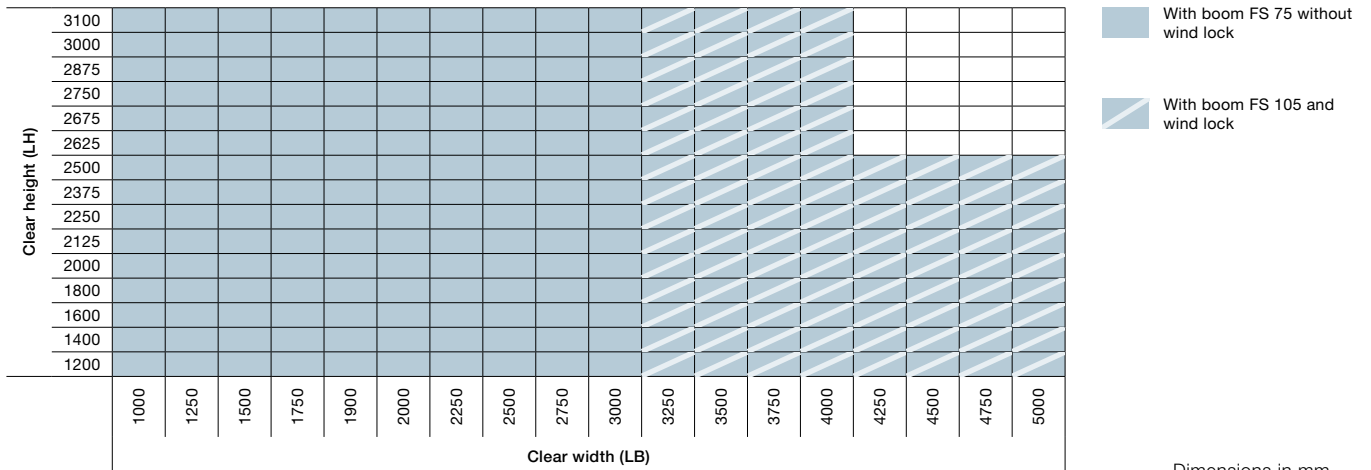
### Internal rolling shutter

Fitting in the opening, interior view



An additional fascia panel is required!

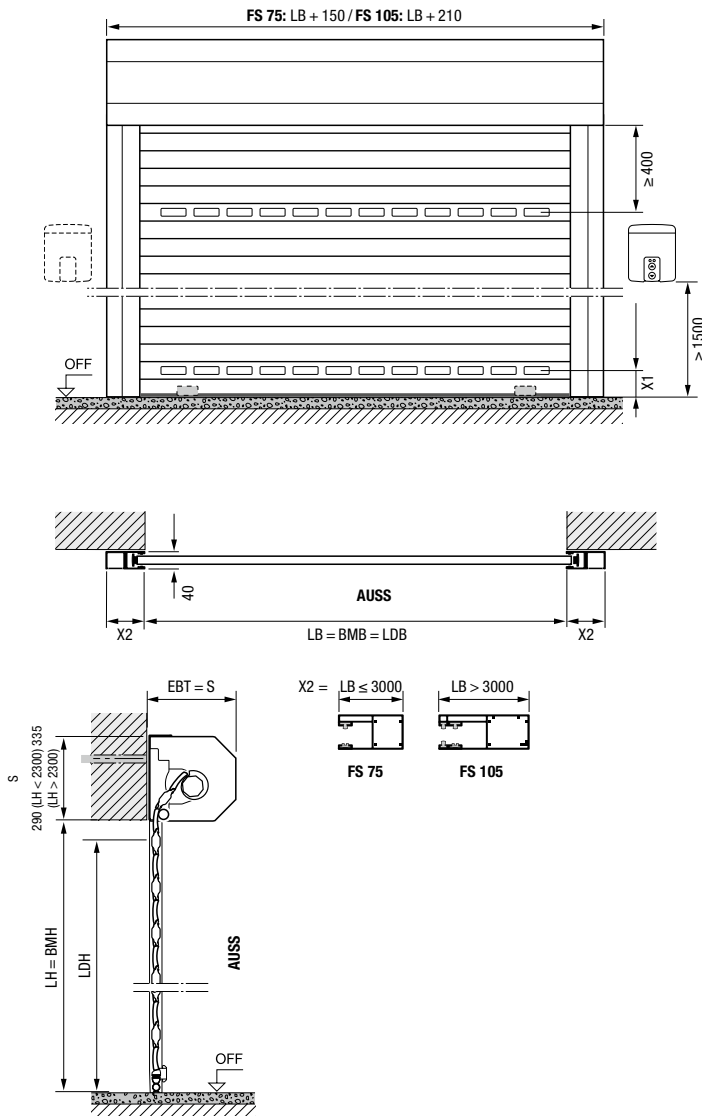
### Size range for internal and external roller garage doors



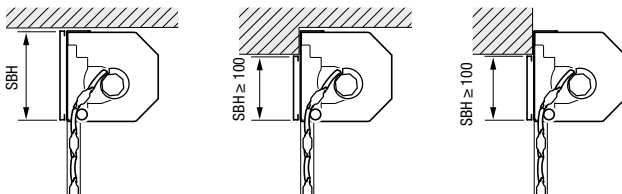
Dimensions in mm

## External roller garage door

Fitting in front of the opening, view of fitting side



## Additional fascia panel



### Internal rolling shutter

Fitting in the opening

### Internal rolling shutter

Fitting behind the opening, fascia panel protrudes into the opening

### External roller garage door

Fitting in front of the opening, fascia panel protrudes into the opening

Dimensions in mm

## Explanations

- BMB** Ordering size width
- BMH** Ordering size height
- LB** Clear width
- LH** Clear height
- LDB** Clear passage width
- LDH** Clear passage height
- EBT** Fitting depth
- S** Required headroom
- SBH** Additional fascia panel height
- OFF** Finished floor level
- AUSS** Exterior
- X1** Min. 150 mm
- X2** LB ≤ 3000 = 75 mm (FS 75)  
LB > 3000 = 105 mm (FS 105)

### Fitting depth EBT

Up to LH = 2300 mm	290 mm
From LH = 2301 mm	335 mm

### Required headroom S / additional fascia panel SBH

Up to LH = 2300 mm	290 mm
From LH = 2301 mm	335 mm

### Clear passage height LDH

FS 75	LH - 70 mm
FS 105	LH - 110 mm

### Side space requirement

Up to LB = 3000 mm	80 mm
From LB = 3001 mm	110 mm

### Wind load classes

#### Without wind lock

Up to LB = 3000 mm	Class 3
--------------------	---------

#### With wind lock

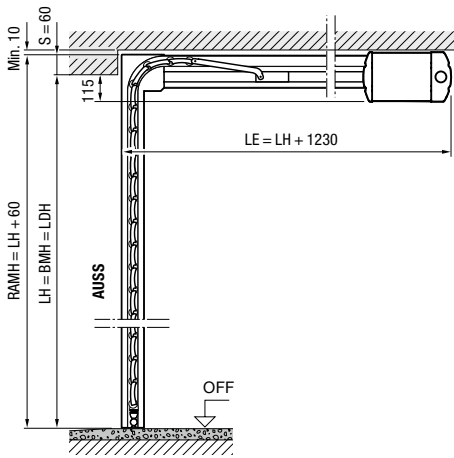
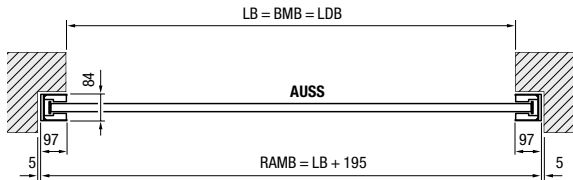
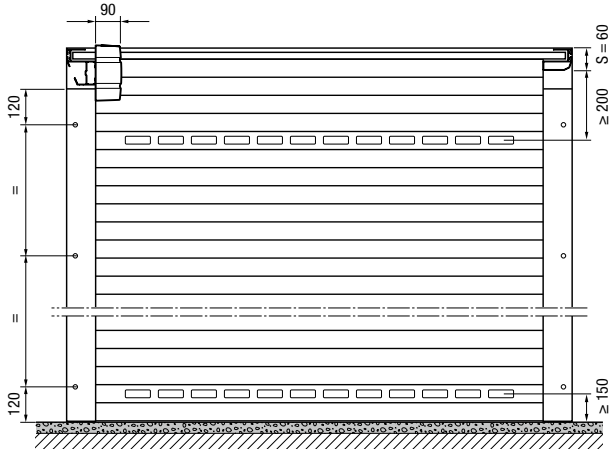
Up to LB = 4000 mm	Class 4
Up to LB = 4500 mm	Class 3
Up to LB = 5000 mm	Class 2

# Dimensions and technical manual

## Roller garage door RollMatic OD

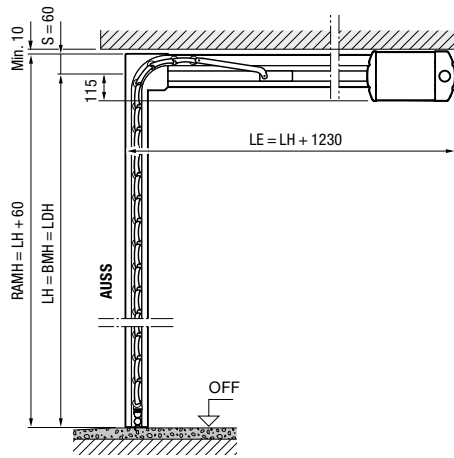
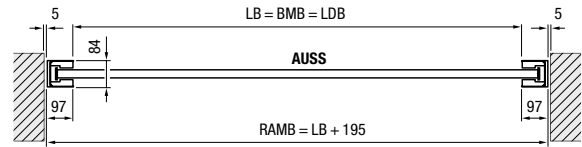
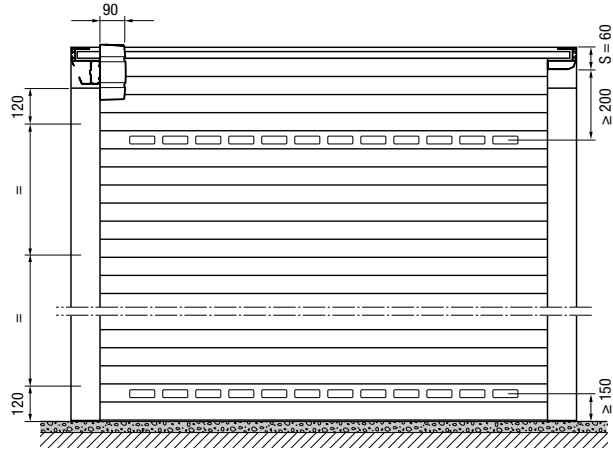
### Garage horizontal door

Fitting behind the opening, view of fitting side



### Garage horizontal door

Fitting in the opening, interior view



### Size range for roller garage door RollMatic OD\*

Clear height (LH)	3000									
	2875									
	2750									
	2625									
	2500									
	2375									
	2250									
	2125									
	2000									
	1875									
	1700									
		1250	1500	1750	2000	2250	2500	2750	3000	3250
	Clear width (LB)									

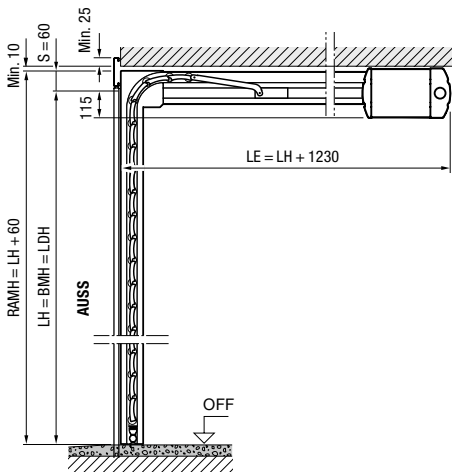
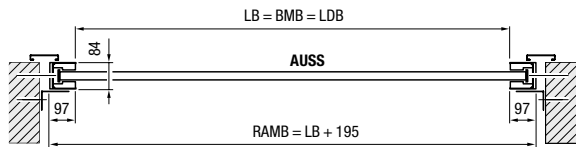
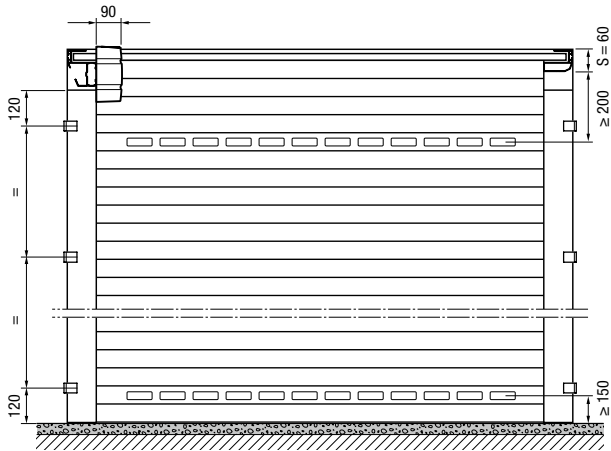
\* Flush-fitting in the opening with panel 95: max. LB 3150 mm, max. LH 2700 mm

Dimensions in mm



## Garage horizontal door

Flush-fitting in the opening with panel 95



## Explanations

- BMB** Ordering size width
- BMH** Ordering size height
- LB** Clear width
- LH** Clear height
- LDB** Clear passage width
- LDH** Clear passage height
- RAMB** Overall frame dimension width
- RAMH** Overall frame dimension height
- LE** Distance back with operator
- S** Required headroom
- OFF** Finished floor level
- AUSS** Exterior

**Side space requirement** 102 mm

### Wind load classes

- Up to  $LB = 3000$  mm Class 3
- Up to  $LB = 3500$  mm Class 2

**Water tightness under heavy rain** Class 2

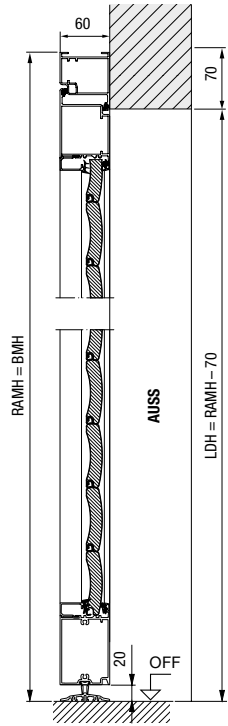
Dimensions in mm

# Dimensions and technical manual

## Side doors

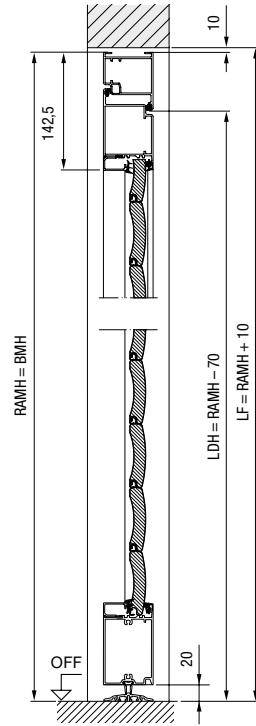
### Side door with block frame

Fitting behind the opening, opening inwards



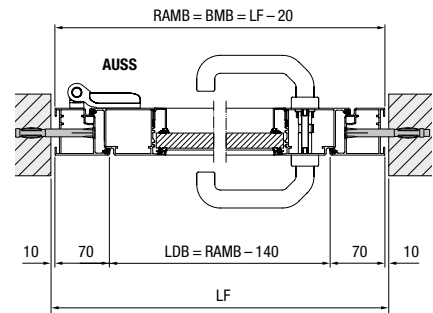
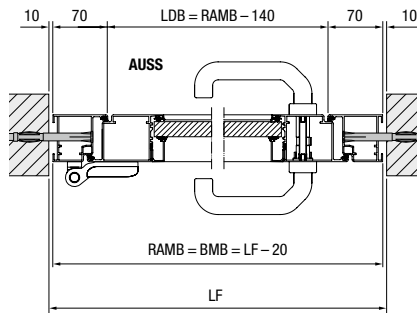
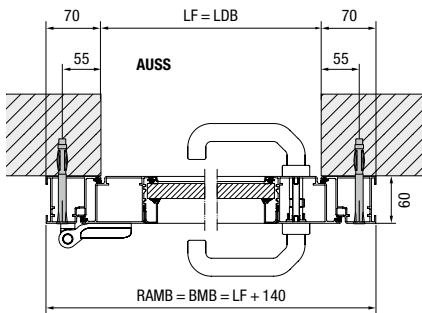
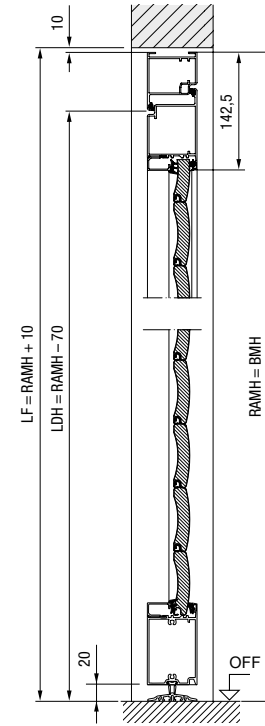
### Side door with block frame

Fitting in the opening, opening inwards



### Side door with block frame

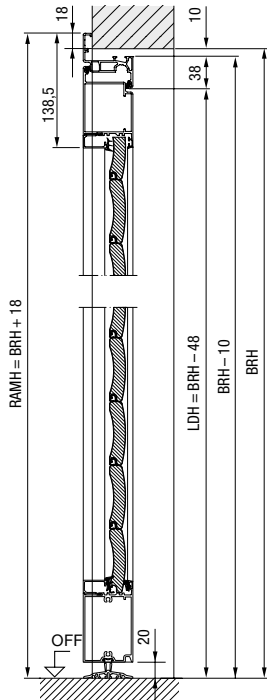
Fitting in the opening, opening outwards



Dimensions in mm

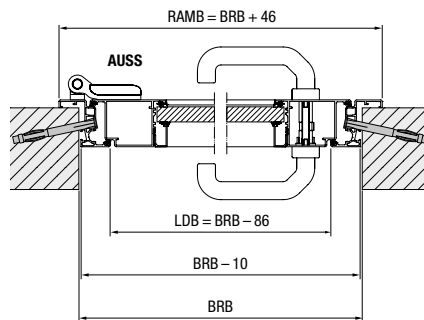
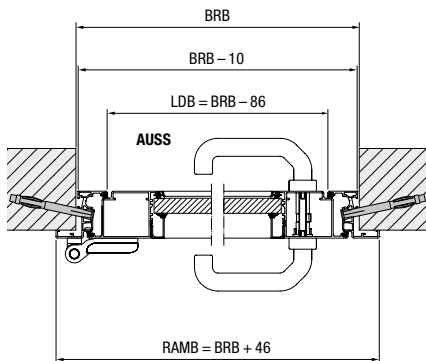
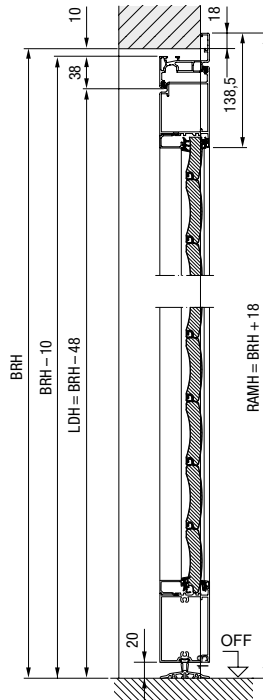
### Side door with corner frame

Internal fitting opening inwards



### Side door with corner frame

External fitting opening outwards



### Explanations

- BRB** Nominal size width
- BRH** Nominal size height
- BMB** Ordering size width
- BMH** Ordering size height
- LDB** Clear passage width
- LDH** Clear passage height
- LF** Structural opening
- RAMB** Overall frame dimension width
- RAMH** Overall frame dimension height
- OFF** Finished floor level
- AUSS** Exterior

### Material

Door leaf frame made of extruded aluminium profiles with roller garage door section infill, position of the sections does not match roller garage door RollMatic, use of glazing and ventilation grille corresponds with roller garage door RollMatic.

Dimensions in mm

# Experience Hörmann quality in new construction and modernisation

Hörmann products have impressive durability and high functionality. You can easily plan for new construction as well as modernisation. The carefully coordinated solutions make your home more beautiful, more secure and more comfortable.

**GARAGE DOORS. GATE AND DOOR OPERATORS. ENTRANCE DOORS.  
RESIDENTIAL INTERNAL DOORS. STEEL DOORS. FRAMES. STORAGE SPACE SYSTEMS.**



Some of the products shown are equipped with special equipment and do not always correspond to the standard versions. The surface finishes and colours shown are subject to the limitations of the printing process and cannot be regarded as binding. All rights reserved. No part may be reproduced without our prior permission. Subject to changes.